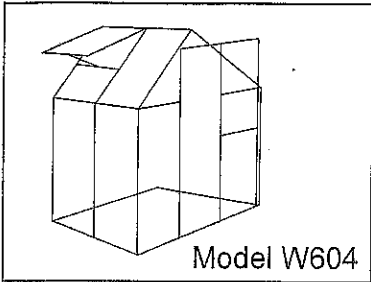


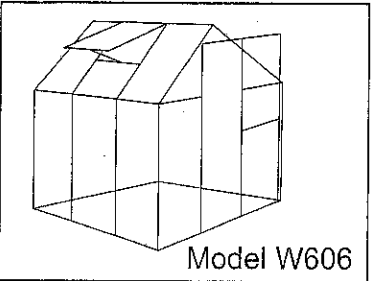


TM

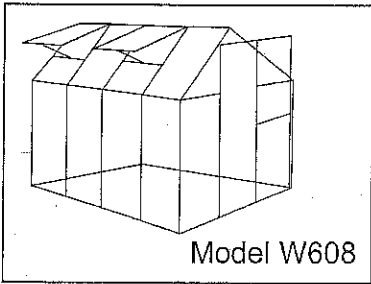
## Assembly instructions



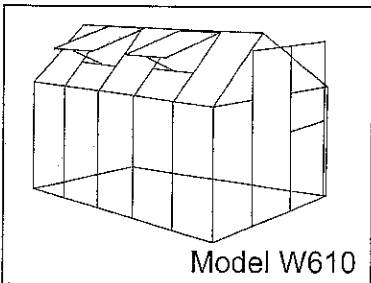
Model W604



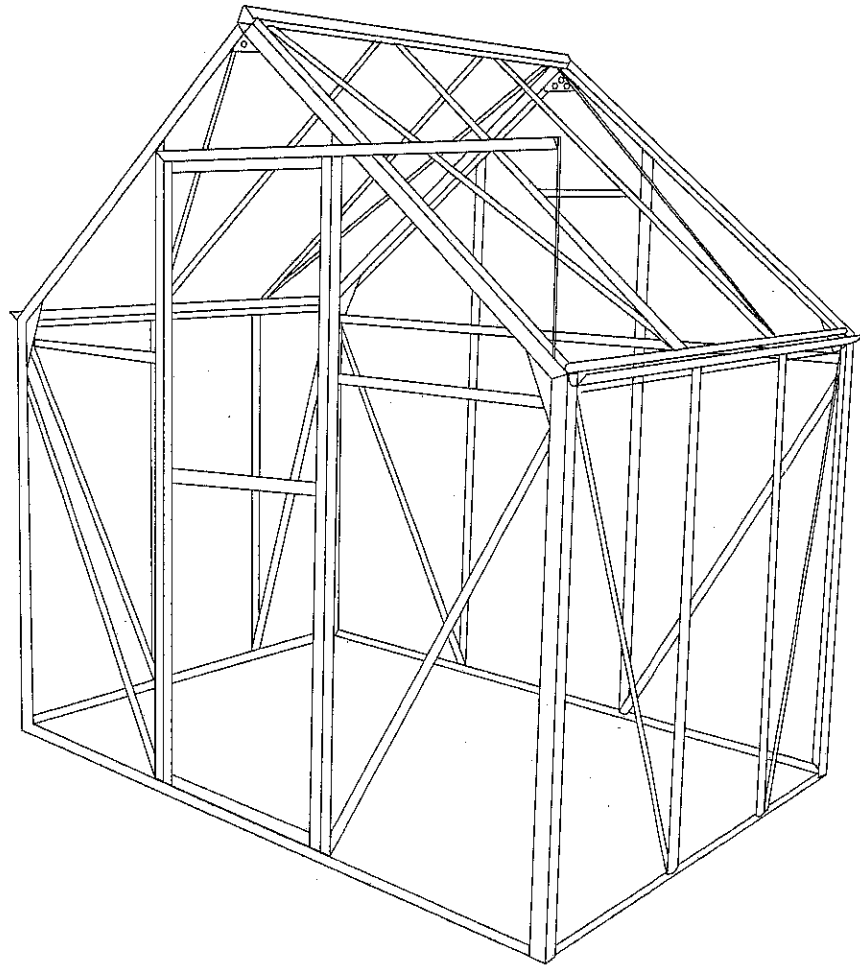
Model W606



Model W608



Model W610



# Walk-in Greenhouse

# Dear Customer!

May we congratulate you on your new Greenhouse.

We feel sure that by following the detailed assembly instructions you will find as much pleasure in actually building the greenhouse as in the time you will spend in your greenhouse in the future.

The assembly instructions mainly consist of detailed illustrations and no specific technical knowledge is required for the assembly of the greenhouse. The house is packed in one carton and contains all sheets of polycarbonate, frames and fittings, excluding the base.

All the aluminium profiles are marked with a part number corresponding to the numbers given on the drawings and in the part list. Nuts, bolts and fittings will be found in the relevant package.

All the rear gable section frames are in package No. 1

All the front gable section frames are in package No. 2

All the side wall section frames are in package No. 3

All the roof section frames are in package No. 4

All the frames and components for the window are in package No. 5

All the frames and components for the door are in package No. 6

The sheets of Polycarbonate are not marked with a part number, but the sizes appear in the overview, when fitting the Polycarbonate, the side with the opal film/text must turn outward.

## Accessories

We offer a wide range of accessories which contribute to a better yield and make life easier for the gardener. A selection of the range is shown in the supplements to these instructions. Your dealer will be pleased to assist you with further information and a special brochure.

## Winter Protection

In areas where snow might be expected we recommend the following in order to protect your greenhouse:

1. Support the ridge at the center of the greenhouse.
2. Removed larger snow loads .
3. Take precautions against snow falling down, for instance from a roof.

## Complaints

We put severe demands on quality to secure that you get a faultless product. However, should a problem occur. We kindly ask you to contact the dealer from who you have bought the greenhouse. To secure a quick service you should specify the extent of the defect by means of the part list in the assembly instructions. Please also note the frame control number which is stamped on the front page of these instructions.

## Guarantee

We grant a 10 year comprehension guarantee which covers replacement or repairs of defective parts due to material or manufacturing fault. The guarantee does not cover polycarbonate, transport, erection. The guarantee is invalid if the greenhouse is not assembled according to these instructions.

## Insurance

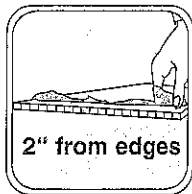
We ask you to kindly observe that not all insurance companies automatically cover greenhouses, against for instance storm damages. We recommend you contact your insurance company to ensure that you are covered.

## Foundation

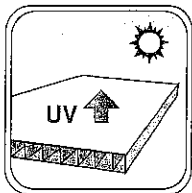
The base is not included in this delivery. However, we do recommend you buy our origin steel base easy to build.

The base is maintenance free and, of course all fittings are included. Remember to order concrete pipes and concrete your local dealer as these are not included in the delivery.

## Cautions



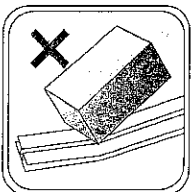
Remove approximately 2 inches of film from all sheet edges before installing. Remove all film immediately after the construction is completed.



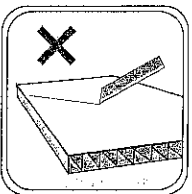
The UV-protected side of the sheet is covered with opal white film and must face towards the sun.



Please put on gloves avoid of slitting your hands.



Avoid of crashing the material, results in unshapes, it is not fits in fixture.

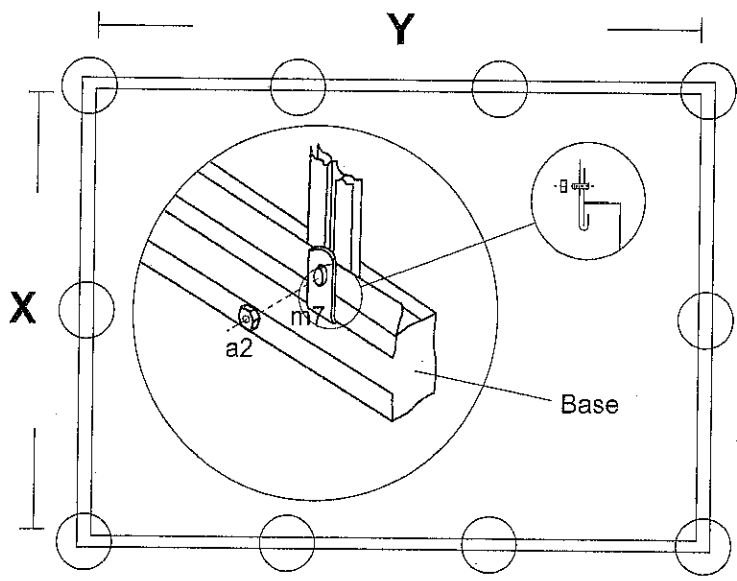


Avoid of materials cuts the polycarbonates sheets.

## Tips

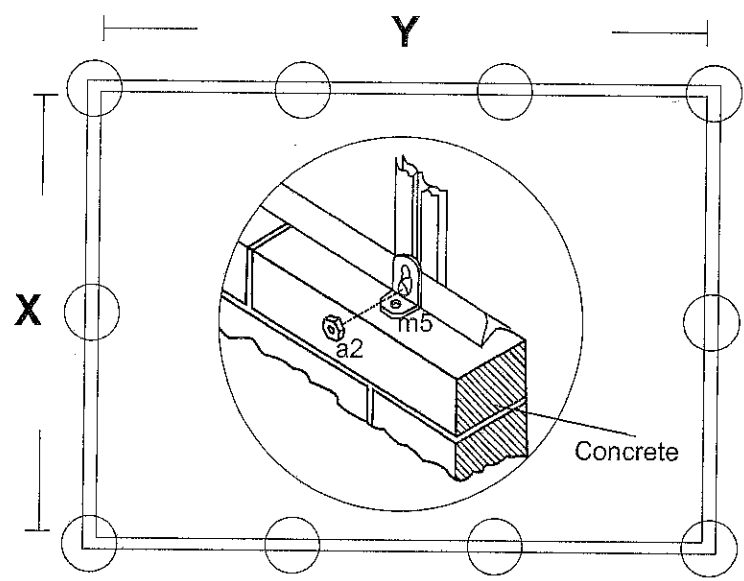
1. The base has to be fastened in a non-freezing depth (80cm)
2. The greenhouse is to be fastened to the base.
3. The base has to be 100% level and square. The easiest way to ensure this is to make sure that the two diagonal measurements are identical.
4. We recommend you grease screws for door and window for an easier assembly.
5. Erection of the greenhouse should only take place in calm and dry weather.
6. All frames are to be assembled around the polycarbonate as shown on the drawings. We recommend that you start with the back gable.

Base



	X	Y
W604	1965	1520
W606	1965	2236
W608	1965	2952
W610	1965	3668

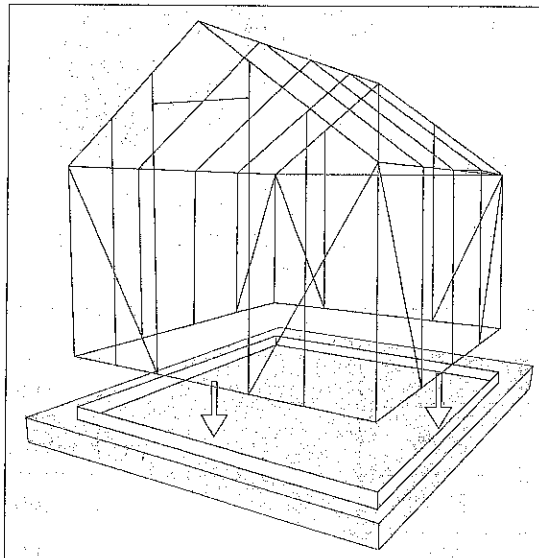
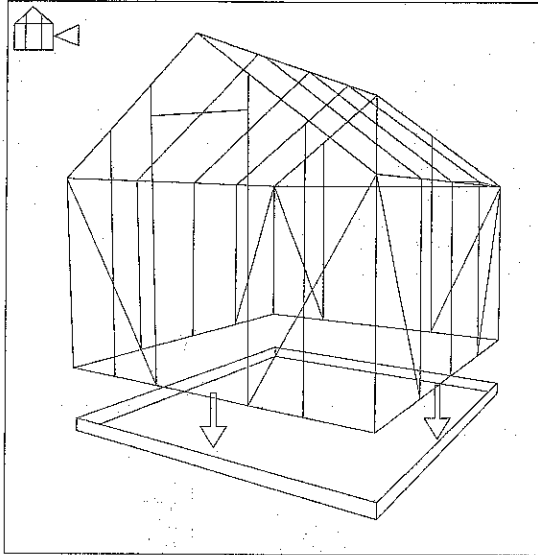
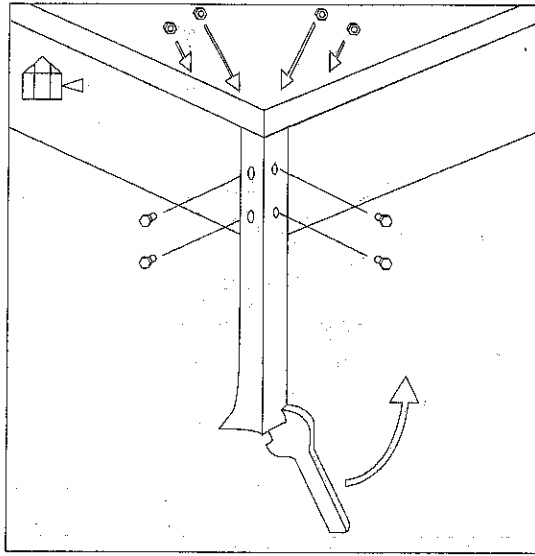
	X	Y
W604	6'5 <sup>3</sup> / <sub>8</sub>	4'11 <sup>7</sup> / <sub>8</sub>
W606	6'5 <sup>3</sup> / <sub>8</sub>	7'4 <sup>1</sup> / <sub>6</sub>
W608	6'5 <sup>3</sup> / <sub>8</sub>	9'8 <sup>1</sup> / <sub>6</sub>
W610	6'5 <sup>3</sup> / <sub>8</sub>	12' <sup>2</sup> / <sub>5</sub>



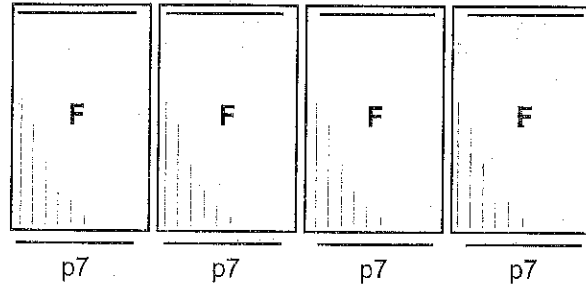
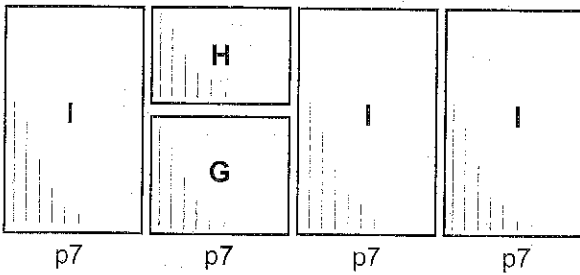
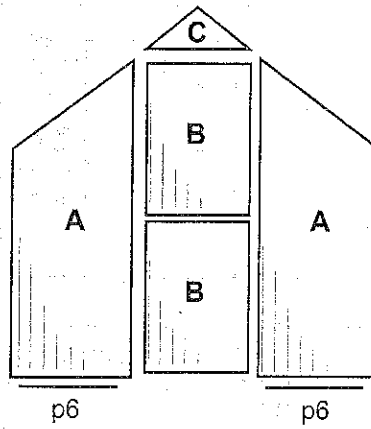
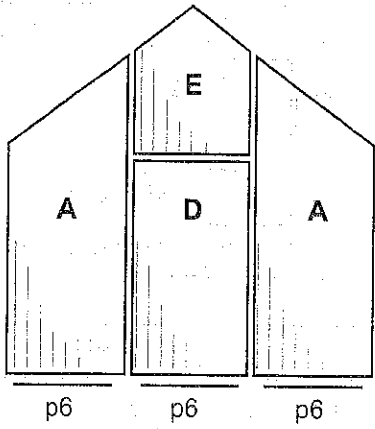
	X	Y
W604	1965	1520
W606	1965	2236
W608	1965	2952
W610	1965	3668

	X	Y
W604	6'5 <sup>3</sup> / <sub>8</sub>	4'11 <sup>7</sup> / <sub>8</sub>
W606	6'5 <sup>3</sup> / <sub>8</sub>	7'4 <sup>1</sup> / <sub>6</sub>
W608	6'5 <sup>3</sup> / <sub>8</sub>	9'8 <sup>1</sup> / <sub>6</sub>
W610	6'5 <sup>3</sup> / <sub>8</sub>	12' <sup>2</sup> / <sub>5</sub>

# Base



# Polycarbonate Sheet



#	mm	W604	W606	W608	W610
A	612X1190/1665	4	4	4	4
B	612X806	2	2	2	2
C	570X10/230/10	1	1	1	1
D	612X1125	1	1	1	1
E	612X535/772/535	1	1	1	1
F	702X1175	4	6	8	10
G	702X637	1	1	2	4
H	696X506	1	1	2	4
I	702X1189	3	5	6	6
┌	p6	594	3	3	3
┌	p7	684	8	12	16

# The list of the section

1	#	W604	W606	W608	W610		#	W604	W606	W608	W610		#	W604	W606	W608	W610
	m1	2	2	2	2		a1	90	100	110	120		p1	2	2	2	2
	m2	4	4	4	4		a2	93	103	113	123		p2	4	4	4	4
	m3	2	2	2	2		a3	3	3	3	3						
	m4	2	2	2	2		a5	12	16	20	26		m5	10	12	14	16
													m7	10	12	14	16

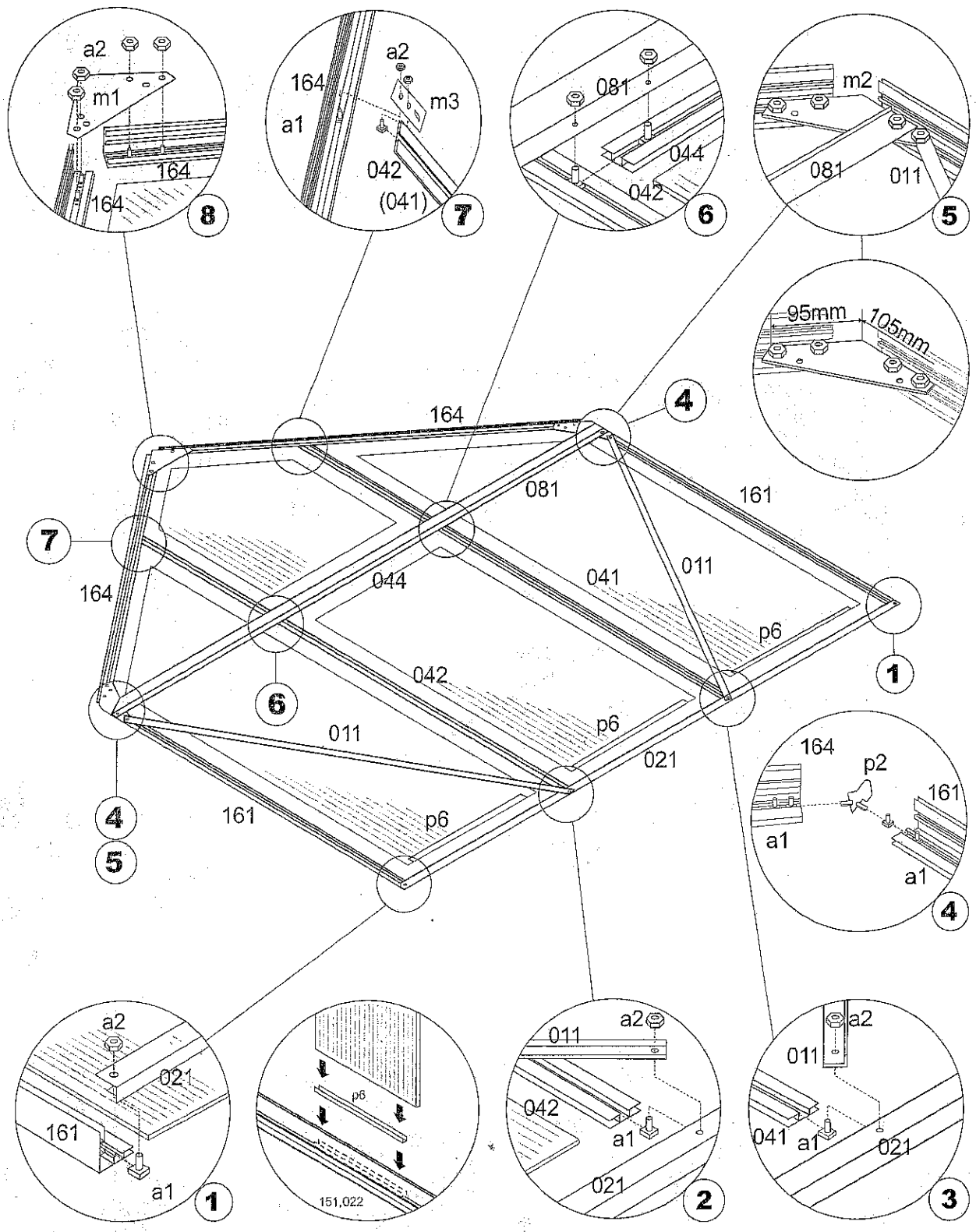
W604		
2	#	qty
	011	4
	012	2
	013	4
	014	3
	021	1
	022	2
	031	2
	032	2
	041	1
	042	1
	043	1
	044	1
	061	2
	071	1
	081	1
	131	1
	132	1
	141	1
	151	1
	161	4
	162	1
	163	1
	164	2

W606		
2	#	qty
	011	4
	012	2
	013	4
	014	5
	021	1
	022	2
	031	4
	032	4
	041	1
	042	1
	043	1
	044	1
	061	2
	071	1
	081	1
	131	1
	132	1
	141	1
	151	1
	161	4
	162	1
	163	1
	164	2

W608		
2	#	qty
	011	4
	012	2
	013	4
	014	7
	021	1
	022	2
	031	6
	032	6
	041	1
	042	1
	043	1
	044	1
	061	2
	071	1
	081	1
	131	1
	132	1
	141	1
	151	1
	161	4
	162	1
	163	1
	164	2

W610		
2	#	qty
	011	4
	012	2
	013	4
	014	8
	021	1
	022	2
	031	8
	032	8
	041	1
	042	1
	043	1
	044	1
	061	2
	071	1
	081	1
	131	1
	132	1
	141	1
	151	1
	161	4
	162	1
	163	1
	164	2

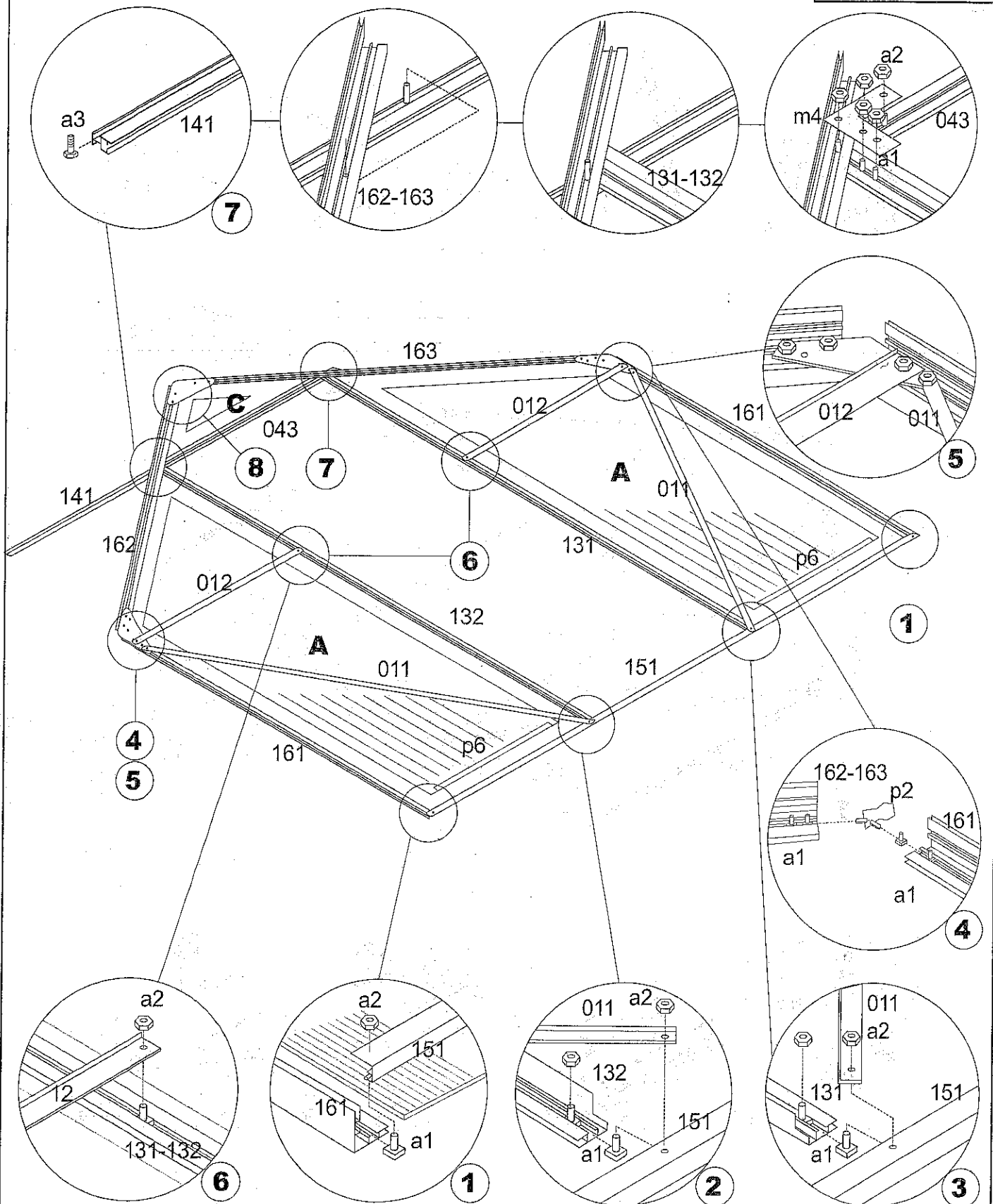
rear gable





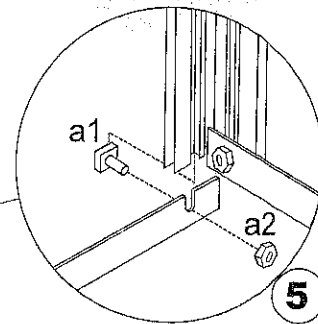
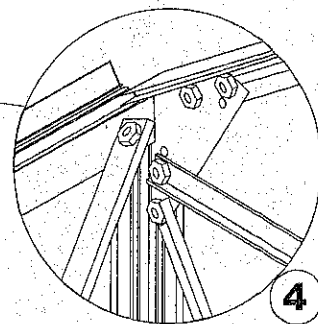
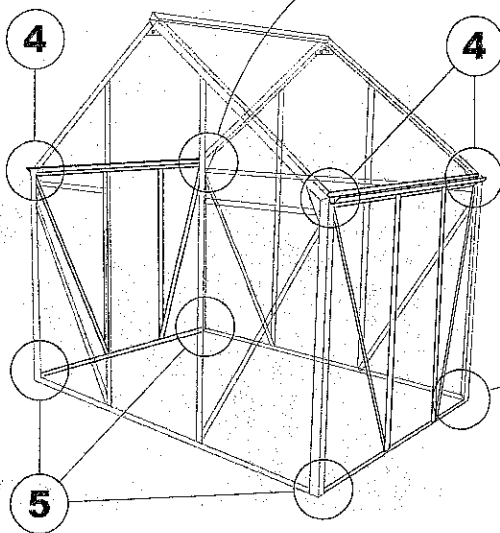
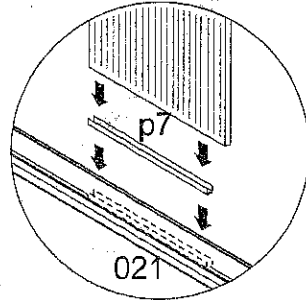
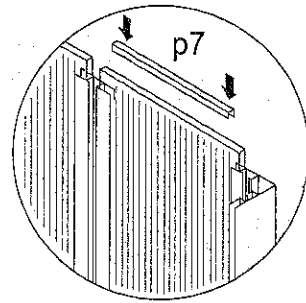
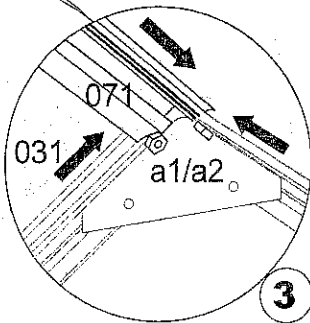
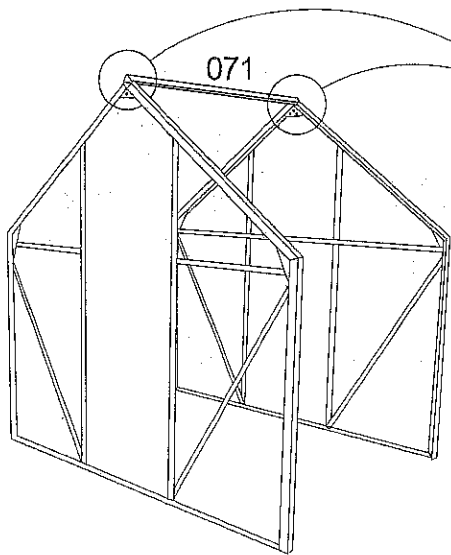
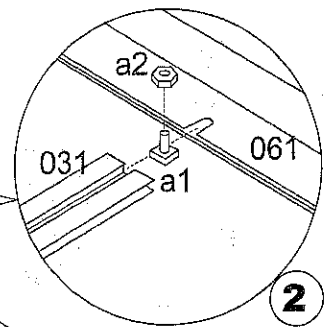
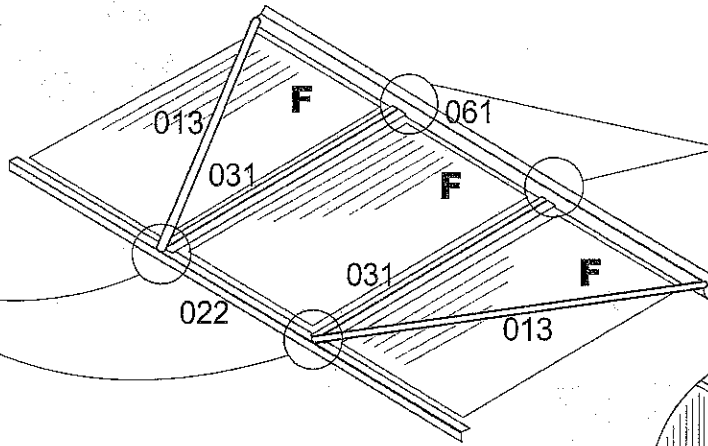
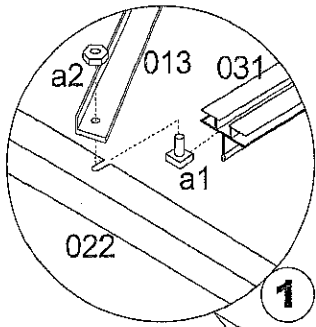
# Front gable

Package No.2



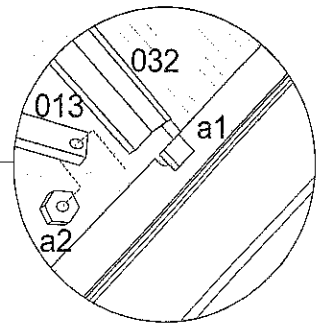
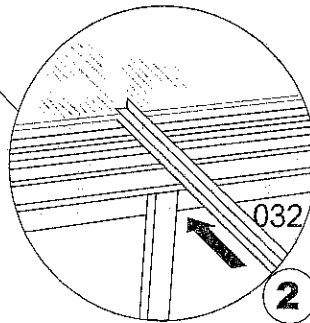
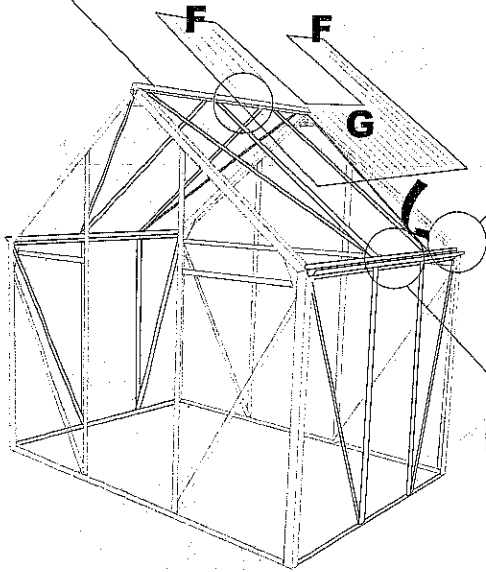
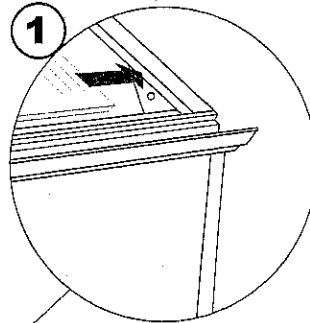
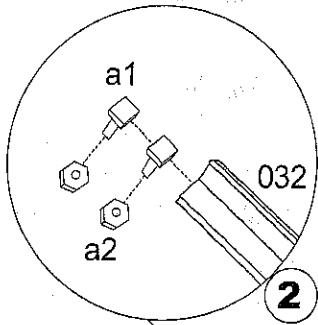
# Side Wall

Package No.3

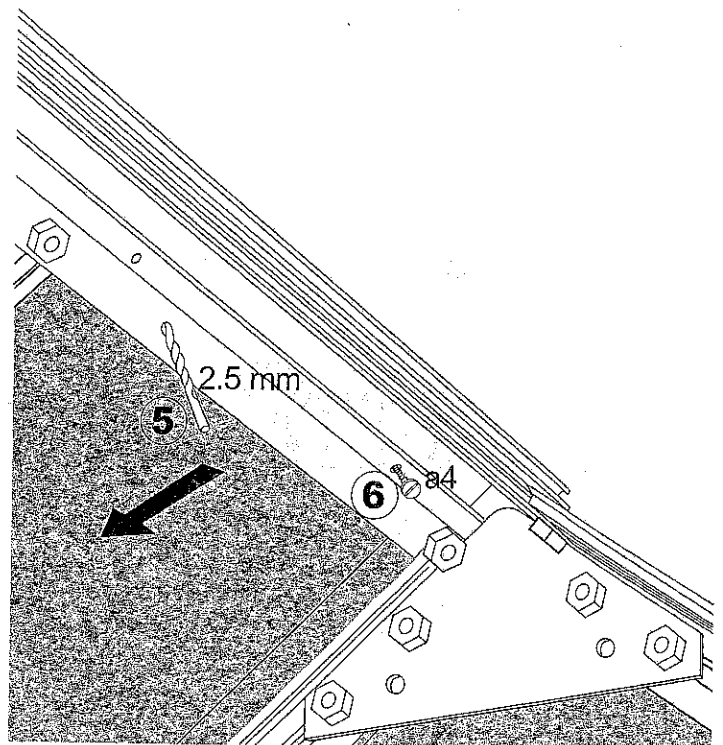
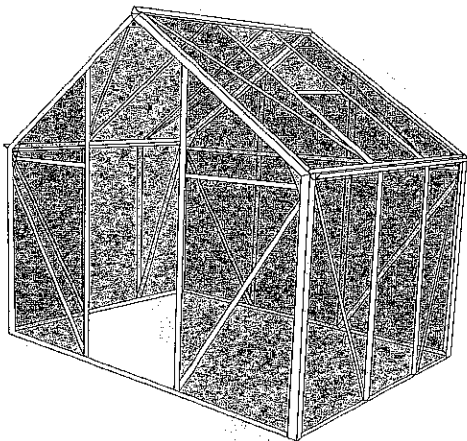


# Roof

Package No.4



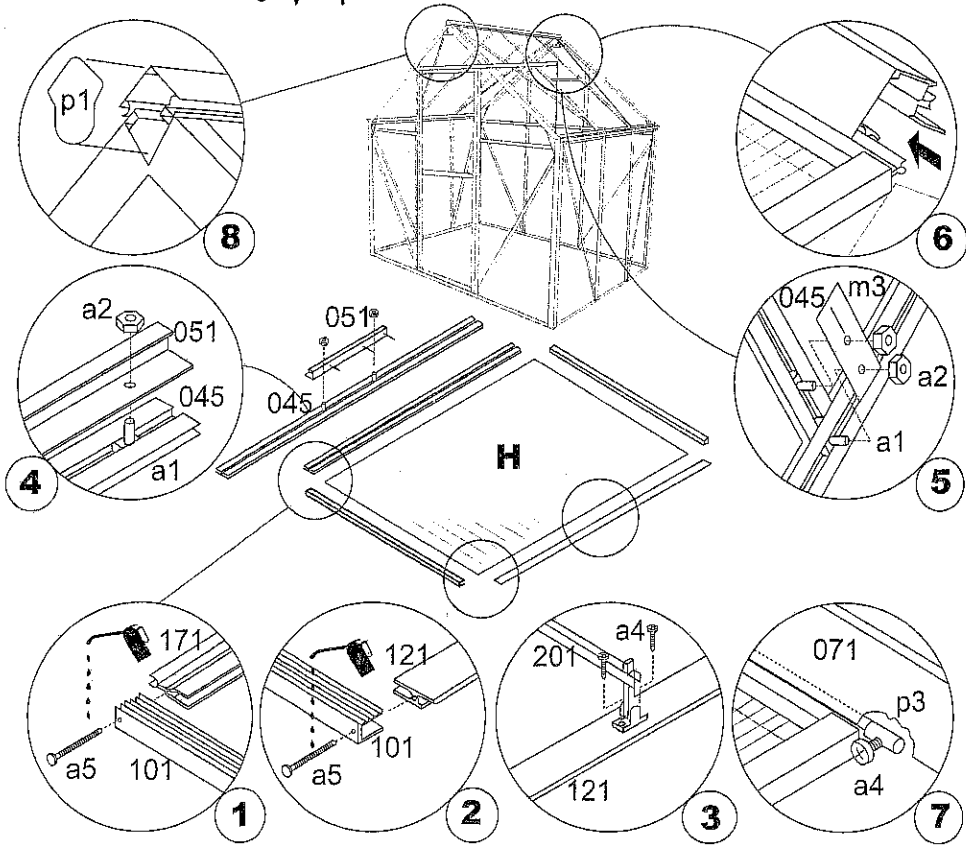
4



VENT

Vent

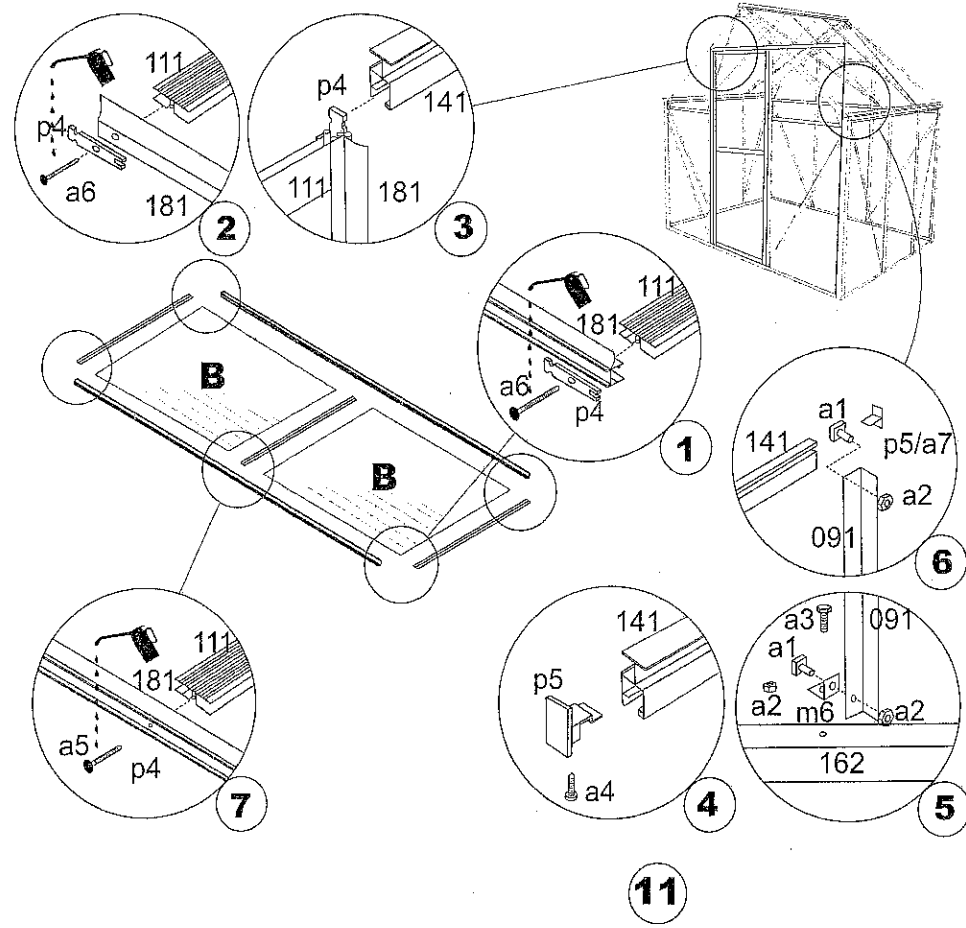
Package No.5



3	#	W604 W606	W608	W610
	171	1	2	4
	101	2	4	8
	121	1	2	4
	045	1	2	4
	051	1	2	4
	m3	2	4	8
	201	1	2	4
	a5	4	8	16
	a4	4	8	16
	a1	4	8	16
	a2	4	8	16
	p3	2	4	8

Door

Package No.6



3	#	W604 W606 W608	W610
	181	2	2

	091	1	1
	111	3	3
	p4	4	4
	a6	6	6
	m6	1	1
	a1	2	2
	a2	2	2
	p5	2	2
	a5	2	2
	a3	1	1
	a4	2	2