

Polycarbonate RIDGE CAP Installation Guide

1) Polycarbonate ridge caps (A) should be installed on foamed polyethylene shaped top end-closures (B) as shown in Figure 1. Foam closures should be set no less than 1/2" from top of the panel.

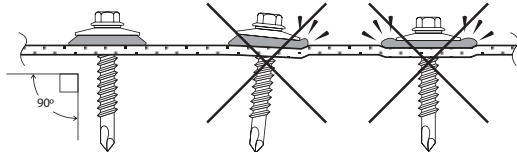
2) Fasteners (C) should be installed at the valley of the panel's (D) corrugation pattern, for each corrugation interval. This should be done on both sides of the ridge cap.

3) Fasteners should be installed at least one inch from the edge of the ridge cap. Installing a fastener too close to the edge may cause the material to eventually tear.

4) All fastener sites in the ridge cap must be pre-drilled to a diameter at least 1/16" larger than the fastener diameter to account for thermal movement.

5) AmeriLux recommends fasteners using a neoprene washer at least 1/2" (12.7mm,) in diameter. Fasteners should be installed so that the washer is pressed snugly against the ridge cap, but not to the point where the washer is deformed as shown in Figure 2. Over tightening the fastener will prevent the ridge cap from properly expanding and contracting with temperature changes.

Figure 2



6) Be sure to work in only one direction. Do not begin fastening at both ends and work towards the center.

7) Fasteners should be installed so that they are securely fastened to the underlying structure as shown in Figure 3. The ridgecap should be directly connected to the purlin or horizontal support member.

8) It is suggested that ridge caps are supported from below using either blocks or brackets at intervals of 60". The nature of these supports is at the discretion of the installer, but the following observations should be made:

Figure 3

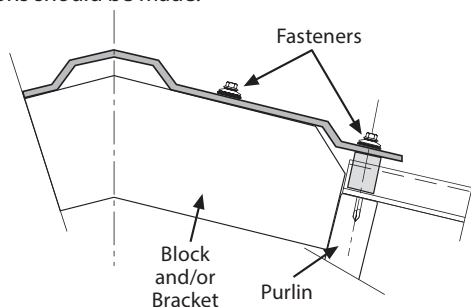
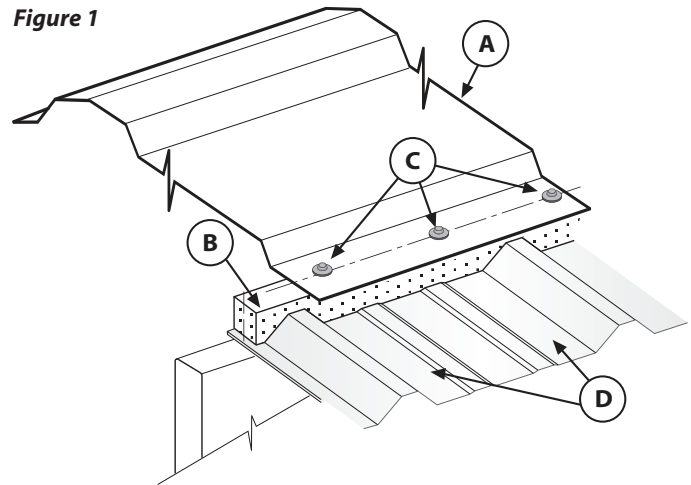


Figure 1



8 Continued)

- a. Blocks and/or brackets should approximate the geometry of the ridge cap in order to insure that they sit properly.
- b. Blocks and brackets should be fastened directly to the structure of the building.
- c. The ridge cap should be connected to the blocks or brackets through a pre-drilled, oversized hole. Use recommended fasteners and follow installation guidelines to account for thermal expansion as described above.

9) Ridge cap sections should overlap by at least 4 inches. All ridge cap overlaps require a ridge cap block for through fastening.

10) Recommended Washers and Fasteners

- a. Metal Structures: Self-Drilling Tapping Screw
- b. Wood Structures: Tapping Screw
- c. Side Sticking: Sharp Point Self-Tapping Screw
- d. Washer: Metal washer with EPDM rubber gasket
- e. Grommet: Expanding rubber fastener

11) Suggested Fastener Types and Placement

- a. Fastening at peak:
 - MR9" - 1/4" x 2" with 1/2" washer
 - MR12" - 1/4" x 2-1/2" with 1" washer
- b. Fastening at valley:
 - MR9" - 1/4" x 1-1/2" with 1" washer
 - MR12" - 1/4" x 1-1/2" with 1" washer

Refer to AmeriLux or its distributors for other approved sealing or bonding materials should they be required. Unapproved sealing or bonding material may be incompatible, damage the panels, cause failure and void warranty.