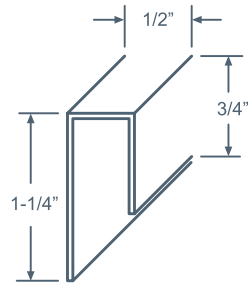
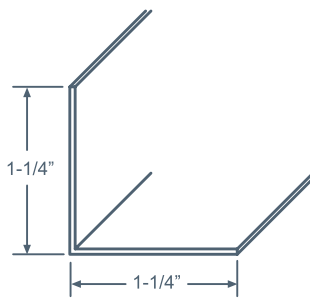
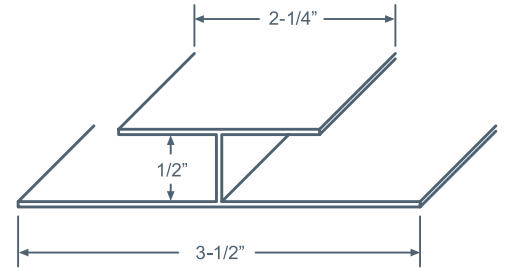


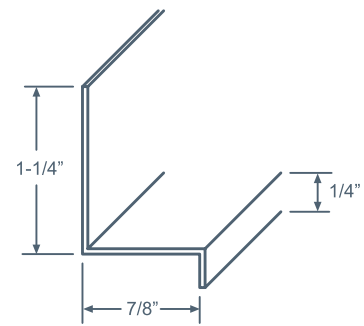
### Trim Dimensions



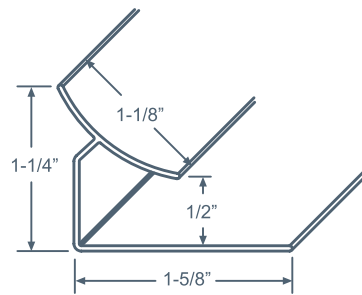
"J" Trim



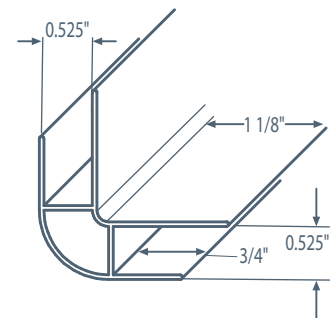
Outside Corner



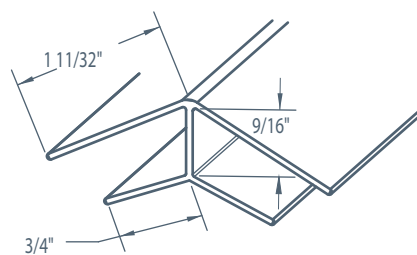
Base Trim



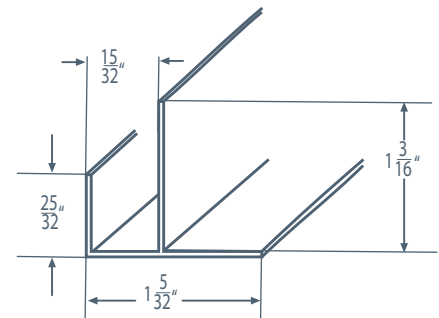
Inside Cove



Inside/Outside Corner



"45 H" Divider



"F" Trim