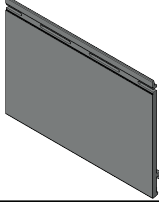
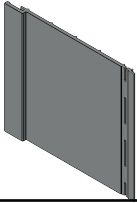

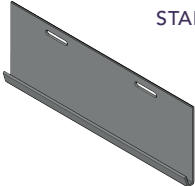


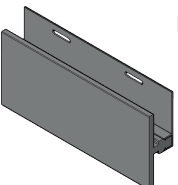
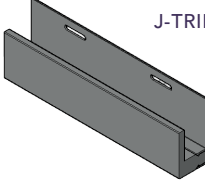


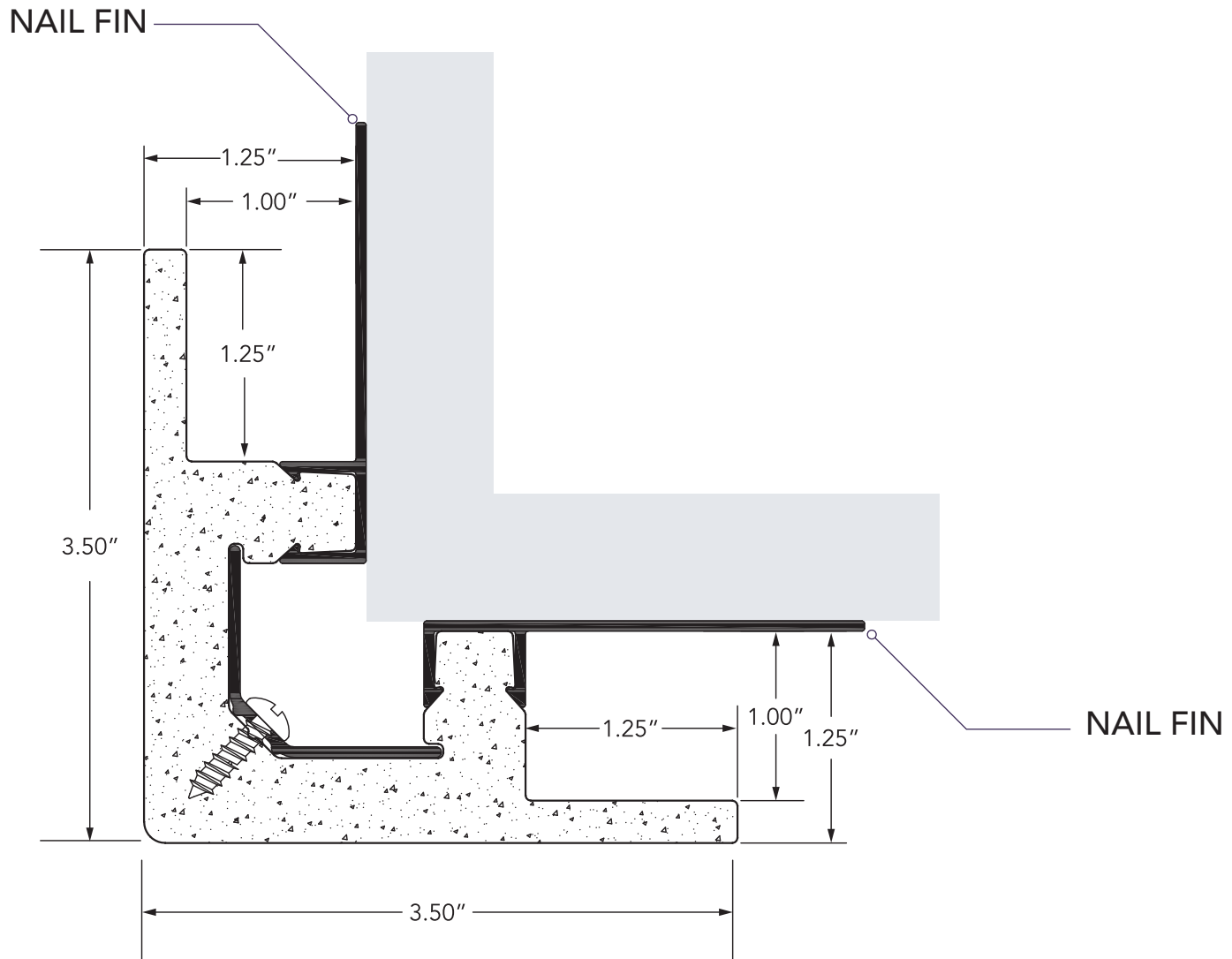


SIDING & ACCESSORIES

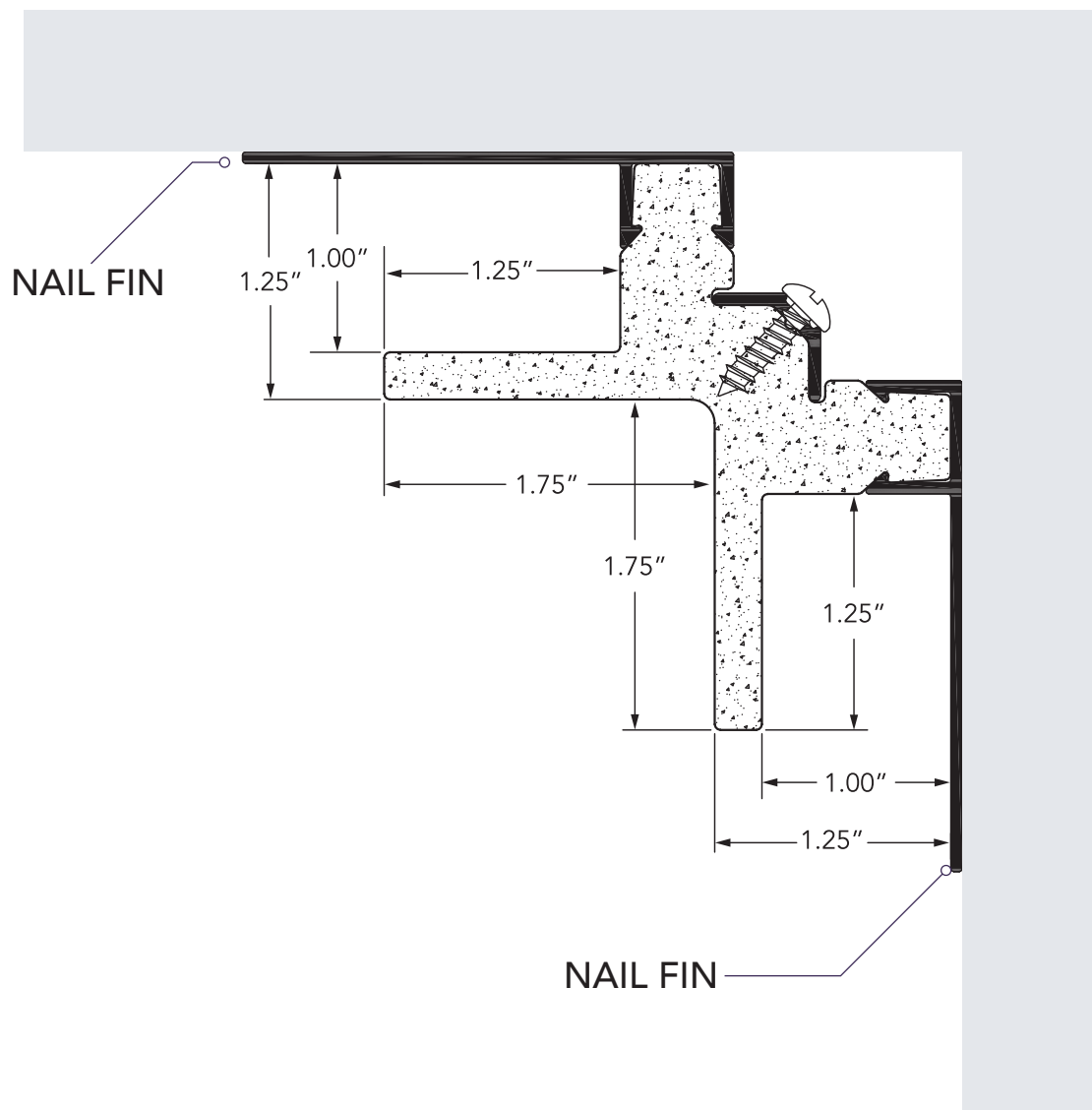
SIDING & ACCESSORIES

 <p>LAP SIDING</p>	<p>EXPOSURE: 7" LENGTH: 12' PCS PER BOX: 8 PCS SF/BOX: 56 SQ.FT.</p>
 <p>BOARD AND BATTEN</p>	<p>EXPOSURE: 12" LENGTH: 10' PCS PER BOX: 6 PCS SF/BOX: 60 SQ.FT.</p>
 <p>AURALOK™ PANEL CONNECTOR</p>	 <p>STARTER STRIP</p>
 <p>INSIDE CORNER</p>	 <p>OUTSIDE CORNER</p>
 <p>H-TRIM</p>	 <p>J-TRIM</p>
 <p>CASING TRIM</p>	 <p>NAIL FIN</p>

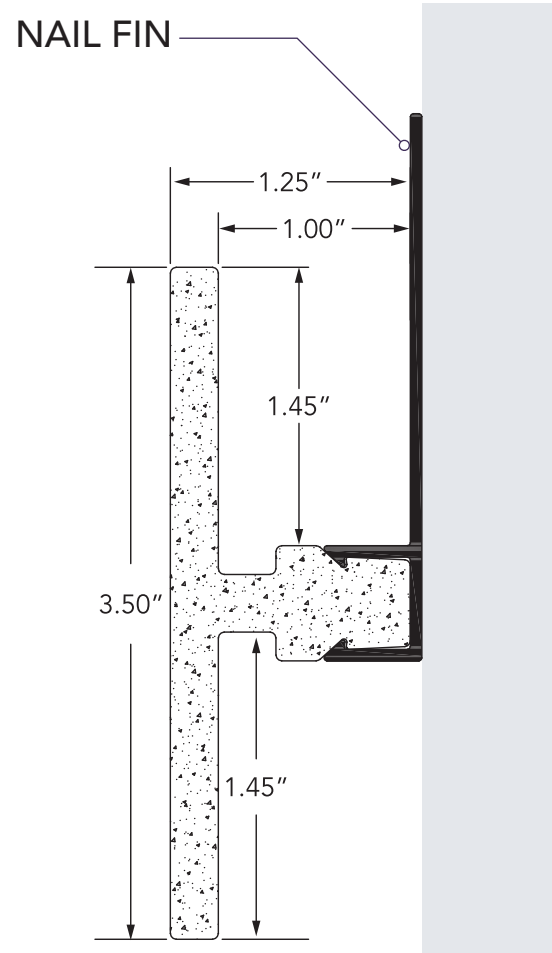
3.5" OUTSIDE CORNER TECHNICAL SPEC



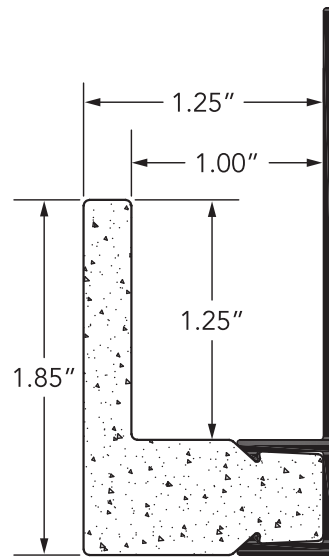
* **Note:** Technical drawings are not to scale.



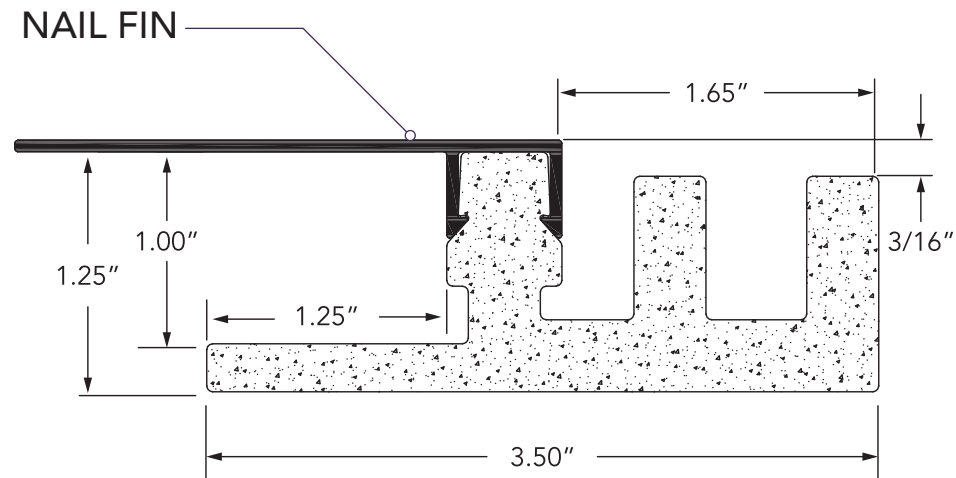
* **Note:** Technical drawings are not to scale.



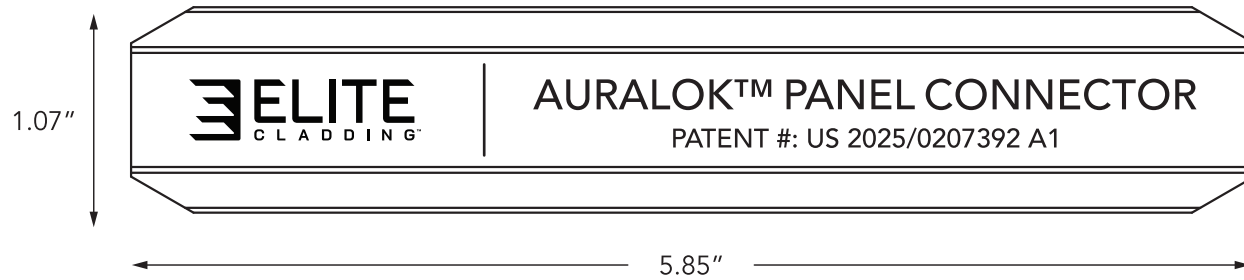
* **Note:** Technical drawings are not to scale.



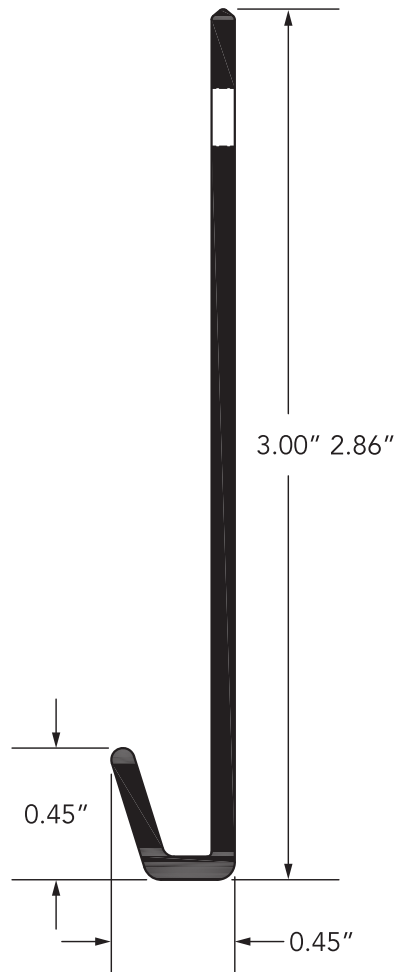
* **Note:** Technical drawings are not to scale.



* **Note:** Technical drawings are not to scale.



* **Note:** Technical drawings are not to scale.



* **Note:** Technical drawings are not to scale.



* **Note:** Technical drawings are not to scale.