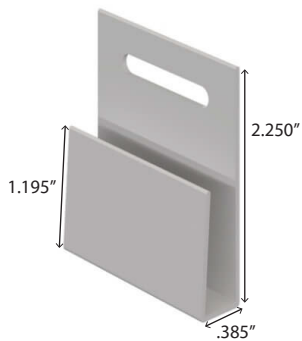
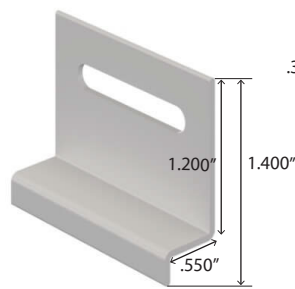




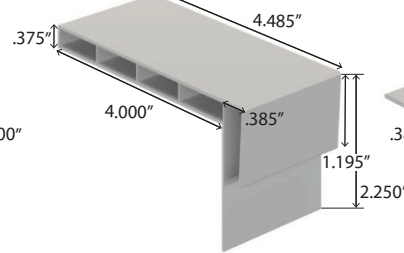
EZ LINER® PVC TRIM SYSTEM



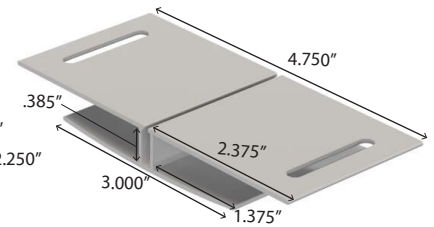
J-Trim



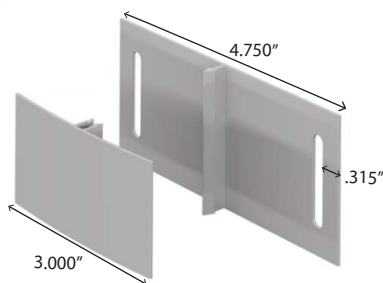
Drip Trim



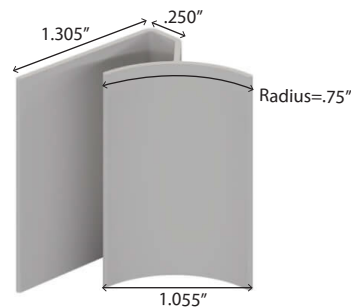
Sill Trim



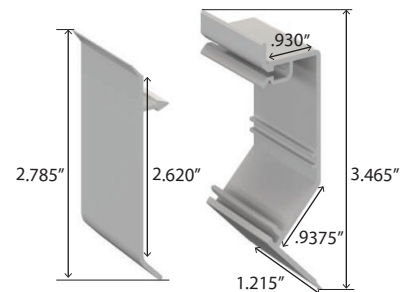
Multi-H



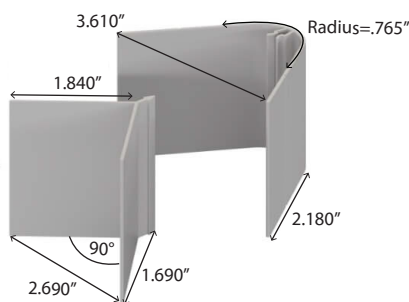
2 pc H-Trim



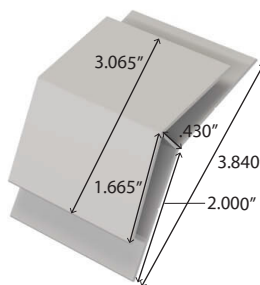
Inside Corner Cove



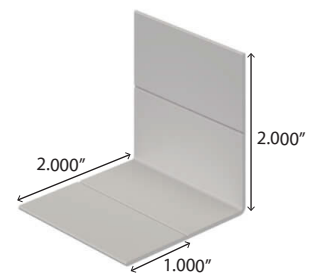
**Crown Cap
& Crown Base**



2 pc Multi-Corner



45-Trim



90-Trim

EZ Liner® PVC Interlocking Panel Trim System



EZ Liner® PVC Interlocking Panel comes with a full line of trims to help make your installation effortless and improve the look of finished interior walls and ceilings.



J-Trim

Colors: Ultra White, Black, Gray

Is used for:

- Top and bottom of walls
- Trim around windows and doors
- Double J-Trim for inside corners



Drip Trim

Colors: Ultra White

Is used for:

- Bottom wall to floor transition
- Trim above windows and doors

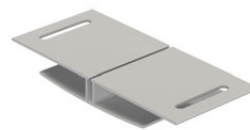


Sill Trim

Colors: Ultra White, Black

Is used for:

- Top and bottom of walls
- Trim around windows and doors
- Inside Corners

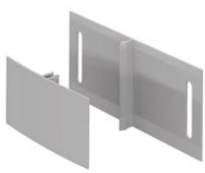


Multi-H

Colors: Ultra White, Black, Gray

Is used for:

- Ceiling installation
- Joins panel lengths together
- If panels run perpendicular to the trusses



2 pc H-Trim

Colors: Ultra White, Black

Is used for:

- Join panels together
- Achieve longer panel length



Inside Corner Cove

Colors: Ultra White, Gray

Is used for:

- Ceiling to wall transition
- Eliminates the need for 2 trims
- Creates a smooth transition



Crown Cap & Crown Base

Available Colors: White, Black

Is used for:

- Ceiling to wall transition
- Crown cap covers up fasteners

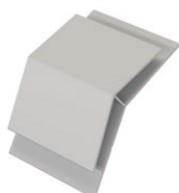


2 pc Multi-Corner

Colors: Ultra White, Black, Gray

Is used for:

- Inside and outside Corners
- Wall to ceiling transition in a food safe environment
- Eliminates the need for 2 trims



45-Trim

Colors: Ultra White, Black

Is used for:

- Angled panel installation
- Wall to wall transition
- Ceiling to ceiling transition



90-Trim

Colors: Ultra White, Black, Gray

Is used for:

- Finishing trim for outside corners
- Trim around windows