

**DuxxBak**<sup>®</sup>  
COMPOSITE DECKING



Presents

**OPTIMA**<sup>®</sup>  
**Dekk LT**

Installation Instructions



# Optima Dekk LT Installation Instructions

General Tips and Guidelines.....	3
Joists.....	3
Blocking.....	3
Additional Supports.....	3
Decking Preparation.....	3
Installation of Decking.....	4
Installation of Stairs.....	5
Finishing Picture Frame Corners.....	6
Care and Maintenance.....	6
Warranty Registration.....	6
Approved Fasteners.....	7

## General Tips and Guidelines

- Carefully read and follow all installation instructions to ensure a successful installation. Improper installation may void your warranty.
- Always follow local building codes and obtain the proper permits.
- Optima Dekk LT, like all HDPE materials, will expand and contract as temperatures change. Therefore, it is important to be conscientious of the temperature of your Optima Dekk LT Decking prior to installation. For best results, installation at temperatures above 40 degrees and staging the product in similar conditions to that which it is being installed is preferred. Installation under extreme cold conditions should also be avoided.
- To allow for expansion and contraction after installation a minimum gap of 3/16" should be provided where Optima Dekk LT meets a wall, post, or other object. A 3/16" gap should also be provided between planks.
- If Optima Dekk LT must be installed end to end a 3/16" gap should be allowed at the butt joint.
- Always calculate the width of the structure to avoid having to rip the final plank.

### Joist Spacing

Optima Dekk LT should be installed on joists spaced no more than 16" on center for conventional installation, i.e. decking is running perpendicular to the joists. If Optima Dekk LT decking is to be installed at an angle of 45 degrees to the joists, joist spacing must be decreased to 12" on center. Stair stringers must be at 12" on center.

### Blocking

Blocking, or joist bridging, should be installed to tie joists together and prevent twisting or bowing. This will keep the substructure square and rigid for the life of the deck. Install blocking every 6' along joists or at the mid span of a joist less than 12'. See Figure 1.

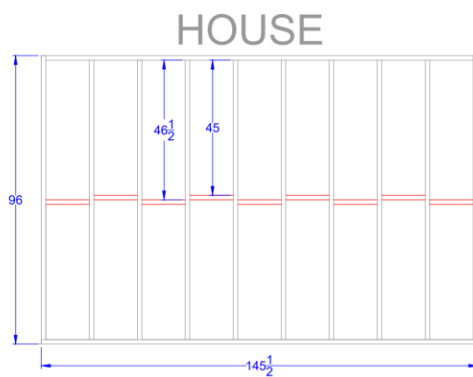


Figure 1

### Additional Supports

With most composites, it is best to avoid leaving the cut end of the deck exposed simply for aesthetics. Typically, the perimeter of the deck will be finished with a picture frame using the same material as the decking. Often, using a contrasting color for the picture frame can add another dimension to the deck. If you are going to picture frame the deck, additional blocking will be required using 2" x 4", with the 4" side horizontal, placed on the inside the outer joists, parallel with the joists as shown in red on Figure 2. If surface mount railing is going to be added after the decking is installed, be certain to add additional supports for the railing prior to installing the decking.

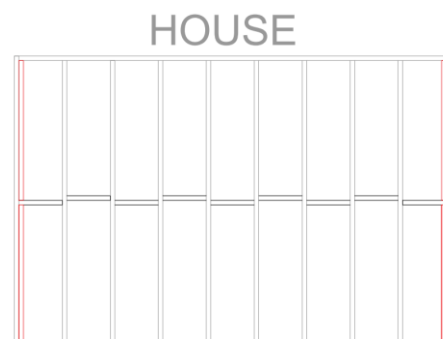


Figure 2

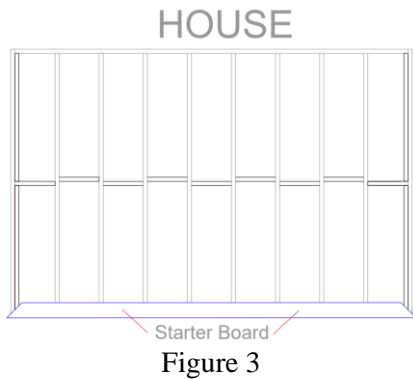
### Decking Preparation

Before beginning installation, layout your Optima Dekk LT decking to identify the most visually appealing pattern. It is not necessary to ensure the unique wood grain embossing is running in the same direction with

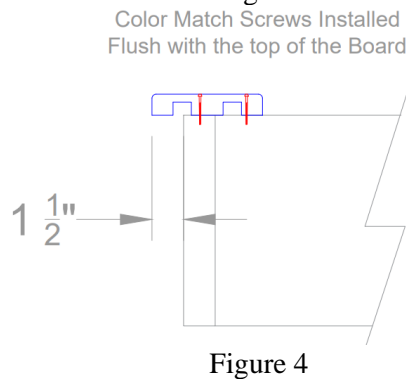
each board, but some prefer to have a consistent pattern. For example, you could run all the wood grain in the same direction or alternate the direction of the wood grain with each board.

### **Installation Of Decking**

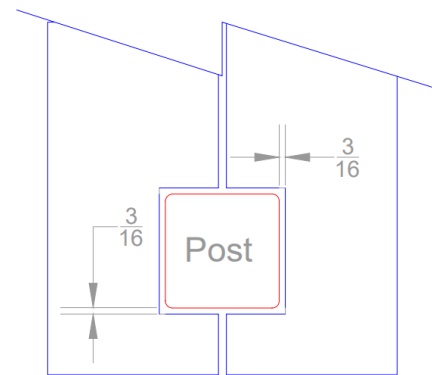
1. If the decking is running parallel to the house, your starter board should be placed on the rim joist and work your way back toward the house. If the decking is running perpendicular to the house, your starter board should be placed on the open side of the deck. See Figure 3.



2. When installing the starter board, always calculate the overhang needed on the first board. Common overhang of the decking should be 1". If you are going to be adding fascia after the decking is installed, make sure you calculate the thickness of the fascia + the 1" overhang prior to attaching the first board. Example: your fascia is 1/2" and you want to leave a 1" overhang, then the starter board should be installed with 1 1/2" of overhang the full distance of the starter board. If a 1/2" fascia is used, the starter board should be positioned as shown in Figure 4.



3. The starter board will be secured with the DuxxBak Composite Decking color match face screws. Two fasteners should be installed at each joist, one in the rim joist and one in the perpendicular joist. All screws should be installed at least 3/4" from the edge or end of the deck board. It is always preferred to seat the screws as close to the center of the joist as possible.
4. When installing the decking around posts or obstructions, including the house, a 3/16" gap must be present to accommodate expansion and contraction. In cases where the ends of the boards must be butted to each other, it is critical that the same 3/16" gap be maintained between the butt ends of the deck boards. See Figure 5.



5. When installing the remainder of the deck boards, it is imperative that a consistent 3/16" gap is maintained between all deck surfaces. This includes, but is not limited to, board to board, board to house, board to post and board to picture frame.
6. The Optima Dekk LT decking can be installed with either face screws (square edge boards) or hidden fasteners (grooved edge boards). For the stairs and picture frame, it is strongly recommended that a square edge board is used so the unused grooves are not exposed.
  - a. If square edged boards are used for the entire deck, 2 faces screws should be installed on each joist and at each end of the board.
  - b. If grooved edge boards are used, a single hidden fastener is used at each joist. When hidden fasteners are used, the gap between the boards will be 1/4" in lieu of the 3/16" which is needed on the square edged boards.

- When working from the rim joist towards the house, it is possible the final board will need to be ripped to the appropriate size for the remaining space. Calculating the number of deck boards, it is best to determine if a square edged or grooved edge board will be used. Square edged boards need only be separated by  $\frac{3}{16}$ " and grooved edge must be separated by  $\frac{1}{4}$ ". It is important on the last piece installed near the house maintain the  $\frac{3}{16}$ " gap from the house as well. The final board installed, regardless of whether square edge or grooved edge boards are used, will need to be face screwed along the edge adjacent to the house.

NOTE: Only on the picture frame corners do you NOT leave a  $\frac{3}{16}$ " gap. Picture frame corners can be placed tightly together during installation.

### **Installation of Stairs**

When installing Optima Dekk LT decking on the stairs, the stair stringers MUST be a maximum of 12" on center. In most cases, square edged material should be used for stairs, however, the grooved edge material will not compromise the integrity of the stairs. See Figure 6.

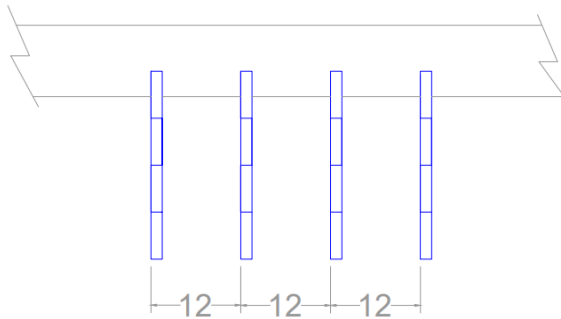
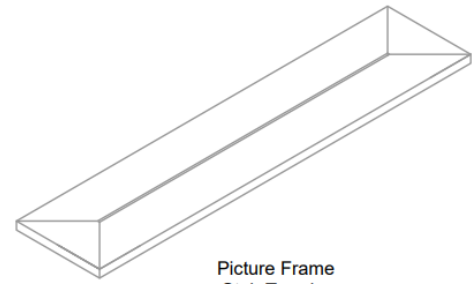


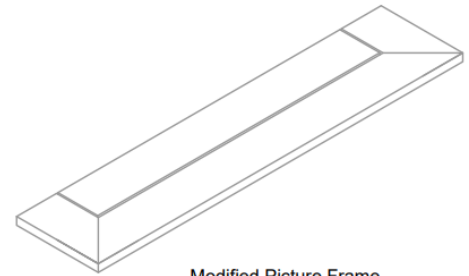
Figure 6

When calculating the stair details, there are several items to consider. First and foremost is to make sure that you are following all building codes applicable.

It is recommended to mimic the overhang of the treads consistent with the deck. If fascia is used on the risers, that will need to be considered when installing the treads. Treads can be installed without finishing the exposed ends of the Optima Dekk LT, however, from an appearance standpoint, it is much more visually pleasing to either picture frame the stair treads or do a modified picture frame.



Picture Frame Stair Tread



Modified Picture Frame Stair Tread

Whether doing a picture frame or a modified picture frame install, additional support will be needed for the stringers.

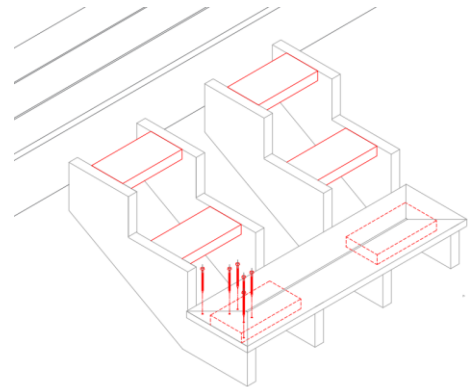


Figure 7

On the outside sections of the stringers, 2" x 6" treated wood should be placed in the center of the stringer tread with the 6" side horizontal. This will provide support for both the picture frame and modified picture frame install. See Figure 7.

### **Finishing Picture Frame Corners**

Finishing details are very important to a successful installation. When finishing the picture frame corners, whether on the deck or on the stairs, securing the boards to each other will hold the joint together through expansion and contraction.



Screws should be installed on the same plain as the decking, however, beginning 1 ¼” from the outside edge of the board, pre-drill a 1/8” pilot hole at approximately a 10-degree angle. Ensure the pilot drill penetrates 2 ¼” (if using a 2 ¾” color match screw). It may be necessary to clamp the surface of the two pieces prior to drilling to maintain a level plain with the tops of the deck. Fasteners can be installed on the front or side of the picture frame; however, we recommend the most inconspicuous placement possible. See Figure 8

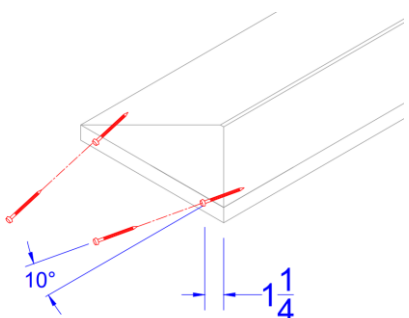


Figure 8

### **Care and Maintenance**

Optima Dekk LT is, by design, virtually a maintenance free deck. Upon completion of the installation, the deck should be swept or vacuumed to remove all debris that may get caught in cracks or crevasses.

The exclusive Armor Cap surface will prevent any mold or mildew from attacking the decking. However, pollen, spores, etc..., can accumulate on the deck at various times of the year which, left unattended, will deteriorate and can give the impression that the surface is deteriorating. Rain will, in most cases, remove the majority of the airborne debris, however, at least once a year it is strongly recommended the deck is cleaned to get any debris which may have been lodged in the wood grain embossing. This can be accomplished by wetting the surface, using a mild detergent (dish soap), lightly scrub the surface with a broom or scrub brush. Gently rinse the deck as you go to prevent the soap from drying on the deck. It is best to clean the deck on overcast days to prevent accelerated drying.

Although the HDPE has an unmatched resistance to staining, surface residue may appear that requires a more rigorous cleansing. This is not a problem with the Armor Cap surface of the Optima Dekk LT. With surface stains, like rust, that may remain after lightly cleaning the decking, a 15% bleach/water solution can be used to further address undesirable residue that remains. Always ensure any cleaning agent used is thoroughly rinsed before drying. DuxxBak Composite Decking strongly advises against using any abrasive cleaners, i.e. Ajax, Barkeepers Friend, etc... when cleaning the Armor Cap Optima Dekk Lt.

### **Warranty Registration**

Upon the complete installation of your DuxxBak Composite Decking product, we strongly advise you register your deck with our convenient online Warranty Registration Form. Registering the warranty can be completed online at: <https://www.duxxbakdecking.com/warranty/> NO WARRANTY CLAIM WILL BE CONSIDERED WITHOUT THE WARRANTY REGISTRATION ON FILE.

The complete product warranty agreement can be viewed at: <https://www.duxxbakdecking.com/warranty-2/>

Finally, in the event a warranty claim is warranted, the warranty claim can be completed at: <https://www.duxxbakdecking.com/warranty-claim/> To avoid delays, please provide all of the required information on the Warranty Claim form at the time of submission.

### **THANK YOU!!**

We would like to thank you for choosing DuxxBak Composite Decking. Although we are continually take steps to improve your experience, we always welcome constructive suggestions and comments. Additionally, we are always here to help with any questions or concerns you may have. Please feel free to reach out to our representatives at [info@duxxbakdecking.com](mailto:info@duxxbakdecking.com)

# Fasteners

## Product Profiles

	DuxxBak Dekk	IDekk IDekk HD T&G	IDekk IDekk HD S4S	Feature Strip Perimeter Strip	OPTIMA Dekk	OPTIMA Dekk LT	COMMERCIALDekk	Fascia
Coated Screws for Engineered Profiles	DuxxBak Composite Decking Trim Head Screws-Coated <a href="http://www.duxxbakdecking.com">www.duxxbakdecking.com</a>	#7 x 2-1/2" (or longer)	#7 x 2-1/2" (or longer)	#7 x 3" (or longer)	N/A	N/A	#7 x 3" (or longer)	#7 x 1-5/8" (or longer)
	GPK-FIM/Trim Trim Head Screw <a href="http://www.gkfasteners.com">www.gkfasteners.com</a>	#8 x 2-1/2" (or longer)	#8 x 2-1/2" (or longer)	#8 x 3" (or longer)	N/A	N/A	#8 x 3" (or longer)	#8 x 1-1/4" (or longer)
Stainless Screws for Engineered Profiles	GPK-PHEINOX FIM/TRIM Trim Head Screw <a href="http://www.gkfasteners.com">www.gkfasteners.com</a>	#8 x 2-1/2" (or longer)	#8 x 2-1/2" (or longer)	#8 x 3" (or longer)	N/A	N/A	#8 x 3" (or longer)	#8 x 1-1/4" (or longer)
	Simpson Strong Tie Trim Head Screw <a href="http://www.strongtie.com">www.strongtie.com</a>	#7 x 2-1/2" (or longer)	#7 x 2-1/2" (or longer)	#7 x 3" (or longer)	N/A	N/A	#7 x 3" (or longer)	#7 x 1-5/8" (or longer)
Hidden Fastener System	DuxxBak Composite Decking Camo Clip Hidden Fastener <a href="http://www.duxxbakdecking.com">www.duxxbakdecking.com</a>	N/A	N/A	N/A	With grooved board	With grooved board	N/A	N/A
	Tiger Claw Hidden Deck Fastener <a href="http://www.fastenmaster.com">www.fastenmaster.com</a>	N/A	N/A	N/A	N/A	N/A	N/A	N/A
Coated & Stainless Composite Screws for Solid Profiles	DuxxBak Composite Decking Optima Screw Coated <a href="http://www.duxxbakdecking.com">www.duxxbakdecking.com</a>	N/A	N/A	N/A	#9 x 2-3/4" (or longer) Color Match Heads	#9 x 2-3/4" (or longer) Color Match Heads	N/A	#9 x 2-3/4" (or longer) Color Match Heads
	DuxxBak Composite Decking Optima Screw Coated Stainless Shell <a href="http://www.duxxbakdecking.com">www.duxxbakdecking.com</a>	N/A	N/A	N/A	#9 x 2-3/4" (or longer) Color Match Heads	#9 x 2-3/4" (or longer) Color Match Heads	N/A	#9 x 2-3/4" (or longer) Color Match Heads

\*\*\* Use Genuine DuxxBak Composite Decking Fasteners for premium results\*\*\*

\*\*\* Don NOT use Composite screws, standard deck screws or any screw with a reverse thread near the head of the screw for ANY Engineered Profiles\*\*\*

Revision V2.1 4/15/21